

### HotLok® Switchfix

#### Part Numbers

SF001-PR0  
SF001-PR1  
SF001-PR2  
SF001-PR4



#### Each carton contains:

Switchfix adjustable chassis (1), Installation Guide (1)

### Tools and Preparation Required for Installation

#### Tools Required:

Phillips Screwdriver

#### Hardware Required:

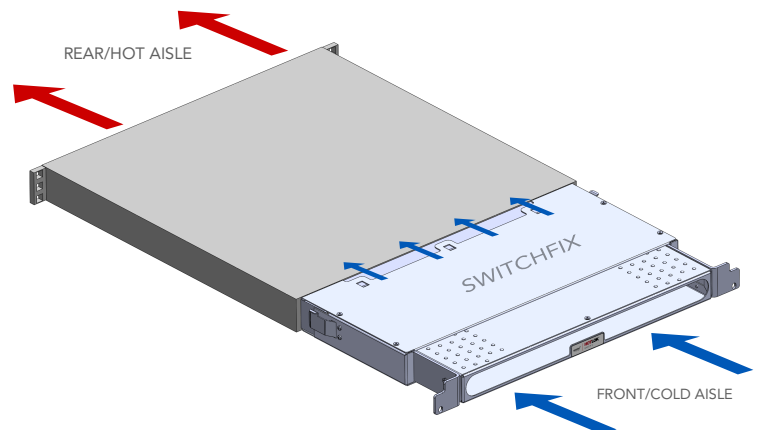
10x32 Cage Nuts (2), 10xs32 Screws (2)

#### Specifications

Part Number	Description	Dimensions	Quantity per Carton	Shipping Weight
SF001-PR0	Passive, Switch Rear Intake, 1U, Adjustable, Black	4.15"-5.75" (105mm -146mm)	1	9 lbs.
SF001-PR1	Passive, Switch Rear Intake, 1U, Adjustable, Black	5.75"-8.5" (146mm - 216mm)	1	9 lbs.
SF001-PR2	Passive, Switch Rear Intake, 1U, Adjustable, Black	7.63"-11.63" (194mm - 295mm)	1	9 lbs.
SF001-PR4	Passive, Switch Rear Intake, 1U, Adjustable, Black	10.63"-14.63" (270mm - 372mm)	1	17 lbs.

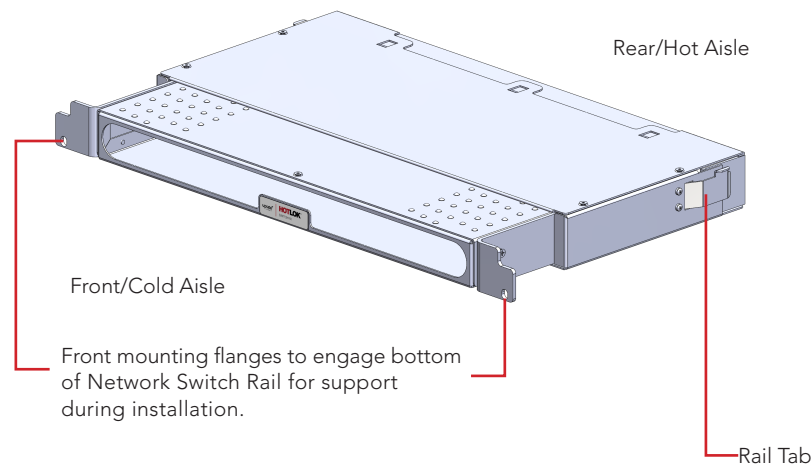
### Installation Precaution

- Ensure the SwitchFix is installed so that it does not limit the airflow required for the safe operation of the equipment.
- Do not interfere with the switch power cords when installing on a live unit.
- Take necessary precautions when handling electrical components.



### Installing the SwitchFix

- 1 The switch power cords can be passed through the SwitchFix brush strip allowing for a proper seal between the SwitchFix and switch. The SwitchFix brush seal will allow multiple power cords to pass through the brush strip to units below.
- 2 Before installing the SwitchFix, remove the lower switch equipment mounting screws from the front rails. Save the screws to be used in the next installation step for mounting the SwitchFix. The equipment mounting screws located in the top mounting holes for the switch will remain fastened.
- 3 The SwitchFix does not ship in the fully extended position from the factory. Extend the SwitchFix by pulling evenly on the mounting rail tabs to the desired depth.
- 4 Install the SwitchFix in the same open U rack space as the switch. The rail tabs located on the rear of the SwitchFix will engage into the switch rails when pushed all the way back. Continue pushing the SwitchFix into the space until the SwitchFix front mounting flanges are flush mounted with the equipment mounting rails. Reinstall the mounting screws that were removed in the previous installation.



- 5 Installation is complete.



## Installation Guide

### General Information

#### Effectively Cool Network Switches

In order to provide the best containment of hot and cold air in the data center it is important to channel cool air through Top-of-Rack (TORS) network switches. The HotLok SwitchFix channels cooling air to switch inlets, and also prevents exhaust air from recirculating to the switch inlets, thus improving switch reliability and airflow management. Data center energy efficiency and switch lifetime can also be improved.

#### Maintaining Proper Cooling of Equipment

Failure to follow computer manufacturer's guidelines for maintaining proper cooling may result in the overheating of equipment. Before installing the SwitchFix, ensure that there is adequate airflow to the intake side of the computer equipment or cabinets through devices such as perforated floor tiles or grates. Delivering proper airflow to the intake side of computer equipment and/or cabinets is the responsibility of the customer.

#### Safety Requirements

Installers must be familiar with standard safety and risk management practices when working on server rack equipment or in data center environments.

#### Customer Support

If you have any questions, please contact us direct at (505) 798-0200, or Toll Free at (888) 982-7800. Email us at [info@upsite.com](mailto:info@upsite.com)

# Installation Guide

## Limited Warranty

Upsite Technologies, Inc. (the *Company*) warrants to the original purchaser that products delivered hereunder will be free of defects in materials and workmanship for a period of twelve (12) months from the date of purchase (the "Warranty Period").

The *Company* shall, at its option, within the Warranty Period, either repair or replace free of charge, any product or part thereof found, upon the *Company's* inspection, to be defective in materials and workmanship, and will return the repaired or replaced product to the purchaser at *Company's* expense.

For warranty service and shipping instructions, contact the *Company* at the telephone number shown below. If the product is under warranty and the defect appears to be covered by this Limited Warranty, the *Company* will issue to the purchaser a Notice of Authorization For Warranty Return. Products returned to the *Company* for warranty service must be accompanied by a statement of defect, the Notice of Authorization for Warranty Return provided by the *Company*, and proof of purchase.

This Limited Warranty is conditioned on the following:

1. The *Company* must be notified within 12 months of purchase and have been given the opportunity of inspection by return of any alleged defective product free and clear of all liens and encumbrances to the *Company* or its manufacturer; and
2. The product must not have been abused, misused, or improperly maintained, and/or non-Upsite authorized repair performed during such period; and
3. Such defect has not been caused by corrosion or exposure to other than ordinary wear and tear; and
4. The installation and use of the product has been in accordance with the manufacturer's instructions and not been modified or customized to include but not limited to cut, resized, burned, glued, bent, re-shaped, disassembled, attachments added to, improperly installed or used in a manner other than intended.

The company makes no other express or implied warranty or representation of any kind whatsoever including any warranty of merchantability or fitness for a particular purpose and all such other warranties are hereby included.

The *Company's* maximum liability hereunder is limited to the purchase price of the product. In no event shall the *Company* be liable for any consequential, indirect, incidental, or special damages of any nature arising from the sale or use of the product, whether based in contract, tort, strict liability, or otherwise.

Note: Some jurisdictions do not allow limitations on incidental or consequential damages or how long an implied warranty lasts, so that the above limitations may not fully apply. This warranty gives specific legal rights and you may also have other rights which may vary from jurisdiction to jurisdiction.

For complete warranty and repair information Call (888) 982-7800 or visit [upsite.com](http://upsite.com)

U.S. and International Patents Pending



888.982.7800

[www.upsite.com](http://www.upsite.com)