

HOTLOK[®]

Installation Guide

HotLok[®] Rack Airflow Management Kit

Mounting Extrusion Part Numbers

90° Profile @ 105' - 10132

45° Profile @ 105' - 10134



90° Profile - Part No. 10132



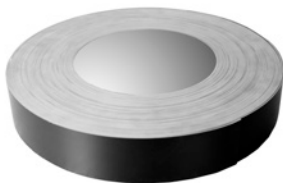
45° Profile - Part No. 10134

Sealing Membrane Part Numbers

2.5" Wide Roll @ 100' - 10139

4.0" Wide Roll @ 100' - 10140

5.5" Wide Roll @ 100' - 10141



2.5" Roll @ 100' - Part No. 10139



4" Roll @ 100' - Part No. 10140



5.5" Roll @ 100' - Part No. 10141

Table of Contents

Tools Required for Installation

Installation Procedures

General Information

Safety Information

Warranty

Page 2

Page 3-4

Page 5

Page 5

Page 6

Each kit contains the following items:

Mounting Extrusions (15)

Roll of Sealing Membrane 100 feet in length (1)

Roll of 3M™ double sided adhesive (1)

Installation Guide

HotLok® Rack Airflow Management Kit

Profiles - Mounting Extrusion	Profiles - Sealing Membrane
Part No. 10132 90° Profile @ 105'	Part No. 10139 2.5" Wide Roll @ 100'
Part No. 10134 45° Profile @ 105'	Part No. 10140 4.0" Wide Roll @ 100'
	Part No. 10141 5.5" Wide Roll @ 100'

Note: 105 feet (32m) of Profile is provided in fifteen 7 foot (2.1m) long pieces. Sealing panel material is provided in the selected width (2.5", 4.0" or 5.5") in a single 100 foot (30.5m) long roll. Extrusion Profile and Sealing Membrane sold separately.

Tools Required for Installation

- For cutting the Mounting Extrusions, you will need a chop saw, miter saw, tin snips or other cutting instrument
- For cutting the sealing membrane, you will need scissors, box cutter or a sharp blade
- Tape measure

Preparation Required For Installation

1. Determine the best method to customize your data rack.
 - a. No external lip will require internal installation of Mounting Extrusions to the inside panel or side wall of the rack system using the supplied double sided adhesive.
 - b. External "lip" on the rack system allows for clip-on method to the extended or protruding area on the rack.
2. For the Mounting Extrusions, use the tape measure to take measurements for the internal/external area where the mounting extrusions will be placed (sides, top and bottom of rack). Measure around any obstacles, mounting brackets or interferences, as you will place Mounting Extrusions around these on the rack systems.
3. Cut the Mounting Extrusions to your size specifications.
4. For the Sealing Membrane, measure the area where the Membrane will be placed.
 - a. **Special Note:** Measure the length, top and bottom and add 1/2 to 1 inch to measurement for extra material. The corner areas will be addressed in the installation.
 - b. **Cut out any special notches, customized to your rack system as needed.**

Installation Guide

HotLok® Rack Airflow Management Kit

Installation Procedures

The HotLok® Rack Airflow Management Kit fits most rack configurations based upon your measurements taken during the preparation directions. The design is to be easy for removal and reuse as needed for your rack systems.

1. Clean rack surface to be free of dust, lint or dirt particles where the Mounting Extrusions will be installed. This is especially critical when using the adhesive material, as any dirt or debris will impact the adhesive.

a. Use an alcohol wipe or a clean cotton cloth, damp with a solution of at least 50% isopropyl alcohol.

i. **Helpful Hint:** When choosing your cleaning cloth, do not use fabric or paper that will disintegrate or leave particles that could interfere with the adhesive.

2. Install the Mounting Extrusion

a. External clip-on method:

i. Install each piece that is cut on the “lip” of the rack using the proper clip.

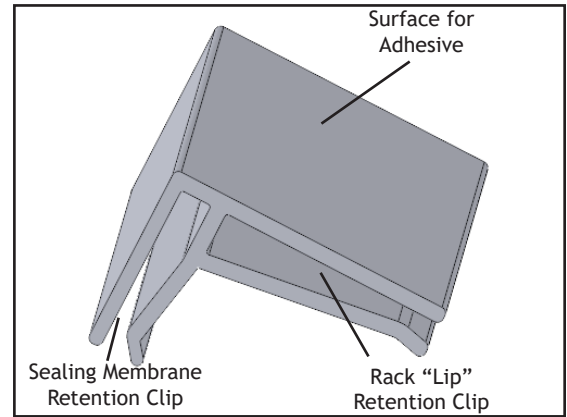
Special Note: See Figures 1 and 2 for the proper retention clip to use for the rack and for the Sealing Membrane.

b. For adhesive (inside of the rack method):

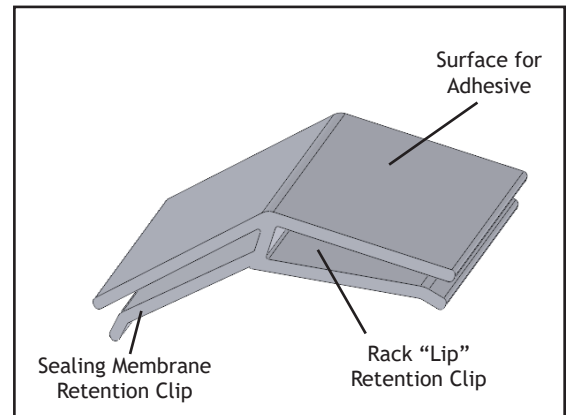
i. Attach the adhesive to the Rack Lip Retention Clip face (see Figures 1 and 2) but leave the adhesive backing on until the product is ready to install.

ii. When ready to install, peel off the backing and place inside of your rack system.

Helpful Hint: Press firmly along the full length of the extrusion to secure in place



(figure 1)



(figure 2)

Installation Guide

HotLok® Rack Airflow Management Kit

Installation Procedures

3. Sealing Membrane installation for both internal and external Mounting Extrusions.

- a. Start the sealing membrane into the retention clip using one corner and then press along the length of the mounting extrusion to insert the full length of the membrane.



- i. **Helpful Hint:** Take small sections at a time to help push into the extrusion

- ii. **Alternate Assembly:** The Sealing Membrane can be inserted into the Mounting Extrusion before placing inside of the cabinet. This may require good spacing of the Mounting Extrusions on the sealing membrane.

- b. The Sealing Membrane should rest flush with the rack system, with no gaps, to minimize airflow inside of the rack system.

- c. If your Sealing Membrane is not sitting flush due to an obstruction, obstacle and/or notch, it may be helpful to cut the membrane around the obstruction or attempt to work out the “kinks” by repositioning the Sealing Membrane in the Mounting Extrusion. Additionally, the double sided adhesive can be used to secure the membrane to adjacent parts.

Installation Guide

HotLok® Rack Airflow Management Kit

General Information

The maintenance of the manufacturers' guidelines for proper cooling may result in the overheating of equipment. Before minimizing rack airflow, ensure proper airflow to the intake side of your computer equipment or cabinets is feasible through the use of devices such as perforated floor tiles. Achieving proper airflow to the intake side of the computer equipment and or cabinets is the responsibility of the customer.

Safety Requirements

Installers must be familiar with standard safety and risk management practices when working in raised floor environments and when modifying racks and cabinets.

Customer Support

If you have any questions, please
contact us at 505-982-7800
Monday - Friday, 7AM-4PM MT
Email us at info@upsite.com

Upsite Technologies, Inc.
4900 Lang Avenue NE, Suite 204
Albuquerque, NM 87109

Patents Pending | P/N 60239 Rev. A © 2012



Limited Warranty

HotLok® Rack Airflow Management Kit

Upsite Technologies, Inc. (the *Company*) warrants to the original purchaser that products delivered hereunder will be free of defects in materials and workmanship for a period of twelve (12) months from the date of purchase (the “Warranty Period”).

The *Company* shall, at its option, within the Warranty Period, either repair or replace free of charge, any product or part thereof found, upon the *Company*’s inspection, to be defective in materials and workmanship, and will return the repaired or replaced product to the purchaser at *Company*’s expense.

For warranty service and shipping instructions, contact the *Company* at the telephone number shown below. If the product is under warranty and the defect appears to be covered by this Limited Warranty, the *Company* will issue to the purchaser a Notice of Authorization For Warranty Return. Products returned to the *Company* for warranty service must be accompanied by a statement of defect, the Notice of Authorization for Warranty Return provided by the *Company*, and proof of purchase.

This Limited Warranty is conditioned on the following:

1. The *Company* must be notified within 12 months of purchase and have been given the opportunity of inspection by return of any alleged defective product free and clear of all liens and encumbrances to the *Company* or its manufacturer; and
2. The product must not have been abused, misused, or improperly maintained, and/or repaired during such period; and
3. Such defect has not been caused by corrosion or exposure to other than ordinary wear and tear.
4. The installation and use of the product has been accordance with the manufacturer’s instructions and has not been modified or customized to include but not limited to cut, resized, burned, glued, bent, re-shaped, disassembled, attachments added to, improperly installed or used in a manner other than intended.

The company makes no other express or implied warranty or representation of any kind whatsoever including any warranty of merchantability or fitness for a particular purpose and all such other warranties are hereby included.

The *Company*’s maximum liability hereunder is limited to the purchase price of the product. In no event shall the *Company* be liable for any consequential, indirect, incidental, or special damages of any nature arising from the sale or use of the product, whether based in contract, tort, strict liability, or otherwise.

Note: Some jurisdictions do not allow limitations on incidental or consequential damages or how long an implied warranty lasts, so that the above limitations may not fully apply. This warranty gives specific legal rights and you may also have other rights which may vary from jurisdiction to jurisdiction.

For complete warranty and repair information Call (888) 982-7800 or visit upsite.com