

Under Rack Panel

Covers Part Numbers:

- 10126 27.5" Under Rack Panel
- 10127 31.5" Under Rack Panel



The 10-pack carton contains:

- (10) AisleLok[®] Under Rack Panel
- (1) Installation Guide

! SAFETY REQUIREMENTS

Installers must be familiar with standard safety and risk management practices when working in raised floor environments and when modifying racks and cabinets.

Preparation

AisleLok[®] Under Rack Panel

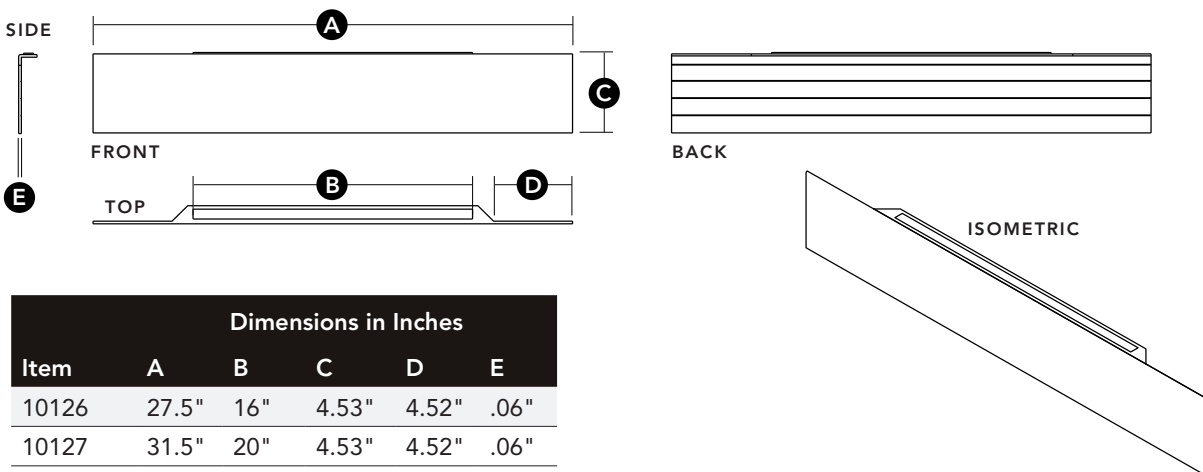
Dimensions and Cutting Requirements	Inches	Millimeters
Part No. 10126 - Overall size (length x height x max depth)	27.5" x 4.53" x 1.0"	699 mm x 116 mm x 25 mm
Maximum Under Rack Sealing Length	27.5"	699 mm
Part No. 10127 - Overall size (length x height x max depth)	31.5" x 4.53" x 1.0"	801 mm x 116 mm x 25 mm
Maximum Under Rack Sealing Length	31.5"	801 mm

Contact Upsite Technologies, Inc. at (888) 982-7800 for more information on customized products and installation services.

Clean the bottom surface of the rack where the Under Rack Panel will be installed. Use an alcohol wipe or a clean cotton cloth, damp with a solution of at least 50 percent isopropyl alcohol. **Helpful tip:** When choosing your cleaning cloth, do not use fabric or paper that will disintegrate or leave particles that could interfere with the adhesive.

Product Component

AisleLok[®] Under Rack Panel (with attached adhesive strip).



Installation Instructions

AisleLok[®] Under Rack Panel

Installation Procedures

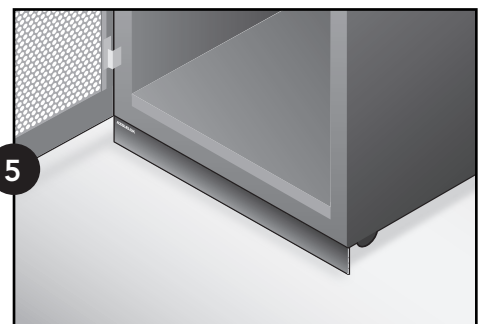
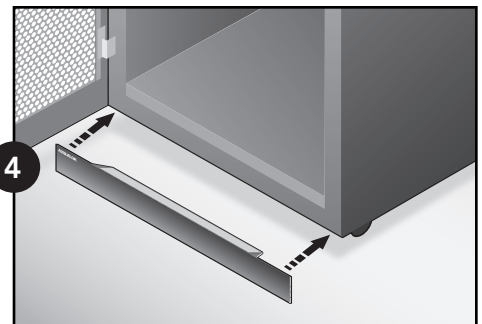
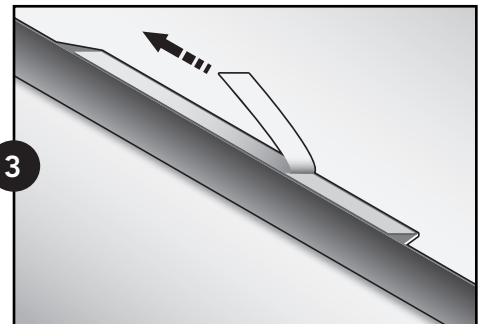
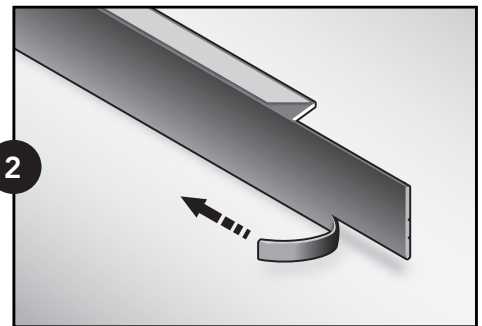
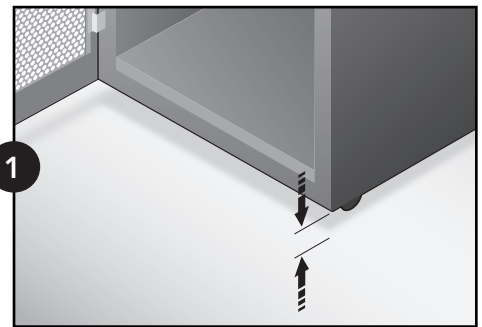
The AisleLok Under Rack Panel fits standard racks, up to 31.5" and is designed to minimize airflow underneath the rack. Before removing the adhesive backing from the Under Rack Panel, align the Panel with the rack to ensure proper fit location before installation. If required, remove the excess blade material by simply tearing it off by hand in 1" increments.

1. Measure the distance from the bottom of the cabinet to the floor.
2. Determine how long the Under Rack Panel needs to be and remove the excess blade material by tearing each 1" section by hand.
3. Remove the adhesive backing material from the Under Rack Panel.
4. Attach the Panel to the bottom of the rack.
5. Press firmly along the length of the adhesive backing to ensure AisleLok Under Rack Panel remains in place.

The Panel should rest flush on the tile, with no gaps, to minimize airflow underneath the rack. When installed, the Panel may create an overlap on adjacent server cabinets. The overlap is an intentional design, specifically blocking the bypass airflow between the adjacent server cabinets. The Panel at the end of the aisle will need to be trimmed back so the overlap is not protruding.

Maintaining Proper Cooling of Equipment

Failure to follow computer manufacturer's guidelines for maintaining proper cooling may result in the overheating of equipment. Before minimizing under rack airflow, ensure that proper airflow to the intake side of computer equipment or cabinets is feasible through the use of devices such as perforated floor tiles. Achieving proper airflow to the intake side of computer equipment and/or cabinets is the responsibility of the customer.



Installation Guide

Limited Warranty

Upsite Technologies, Inc. (the *Company*) warrants to the original purchaser that products delivered hereunder will be free of defects in materials and workmanship for a period of twelve (12) months from the date of purchase (the "Warranty Period").

The *Company* shall, at its option, within the Warranty Period, either repair or replace free of charge, any product or part thereof found, upon the *Company's* inspection, to be defective in materials and workmanship, and will return the repaired or replaced product to the purchaser at *Company's* expense.

For warranty service and shipping instructions, contact the *Company* at the telephone number shown below. If the product is under warranty and the defect appears to be covered by this Limited Warranty, the *Company* will issue to the purchaser a Notice of Authorization For Warranty Return. Products returned to the *Company* for warranty service must be accompanied by a statement of defect, the Notice of Authorization for Warranty Return provided by the *Company*, and proof of purchase.

This Limited Warranty is conditioned on the following:

1. The *Company* must be notified within 12 months of purchase and have been given the opportunity of inspection by return of any alleged defective product free and clear of all liens and encumbrances to the *Company* or its manufacturer; and
2. The product must not have been abused, misused, or improperly maintained, and/or non-Upsite authorized repair performed during such period; and
3. Such defect has not been caused by corrosion or exposure to other than ordinary wear and tear; and
4. The installation and use of the product has been in accordance with the manufacturer's instructions and not been modified or customized to include but not limited to cut, resized, burned, glued, bent, re-shaped, disassembled, attachments added to, improperly installed or used in a manner other than intended.

The company makes no other express or implied warranty or representation of any kind whatsoever including any warranty of merchantability or fitness for a particular purpose and all such other warranties are hereby included.

The *Company's* maximum liability hereunder is limited to the purchase price of the product. In no event shall the *Company* be liable for any consequential, indirect, incidental, or special damages of any nature arising from the sale or use of the product, whether based in contract, tort, strict liability, or otherwise.

Note: Some jurisdictions do not allow limitations on incidental or consequential damages or how long an implied warranty lasts, so that the above limitations may not fully apply. This warranty gives specific legal rights and you may also have other rights which may vary from jurisdiction to jurisdiction.

For complete warranty and repair information Call (888) 982-7800 or visit upsite.com

U.S. and International Patents Pending



Designer and Manufacturer

888.982.7800

www.upsite.com