

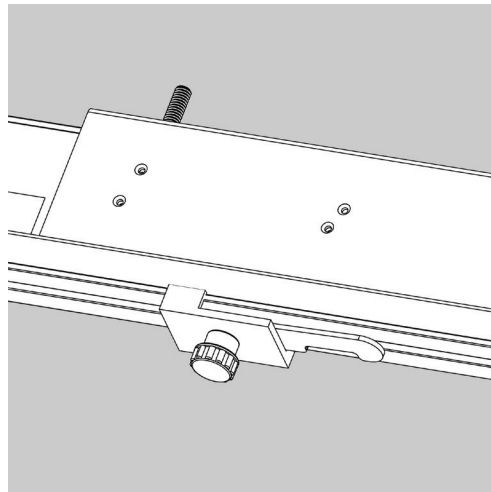
6' SLIDING DOOR STAY OPEN MECHANISM

Using The Stay Open Mechanism

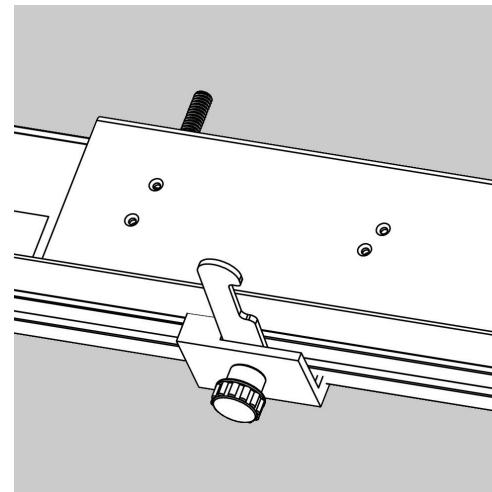
The 6' Sliding Doors have a Stay Open Mechanism which can be adjusted to keep the Sliding Doors open at different widths.

To adjust the Stay Open Mechanism, loosen the Thumb Screw approximately 1 rotation, and slide the mechanism to the location you want the doors held open.

To use the Stay Open Mechanism rotate the lever out to 90 degrees to engage the physical stop. To release the Stay Open Mechanism, push door open slightly and rotate the lever back under the Header. The Sliding Doors will now close normally.



Closed position



90 degree, open position